

# Product Profile

## AgileVIEW Series 2 Monitor Tiers

Complete  
Control Console Solutions  
with Reduced Height Tiers for Wide Screen Displays

**Adjustable Height Monitor Mounts**

[Learn more...](#)

**Control Room Console Furniture**  
**Security Furniture    Command Centers    Medical Imaging Solutions**

### 26 or 48in. Widths; Monitors to 3-Tiers High



#### AgileVIEW Series 2

Features reduced height monitor tiers and **CHIEF KWP130B** Tilt/Pivot monitor mounts with built-in height adjustment slide

This mount offers a 4.5 inch range of vertical motion for each flat screen display

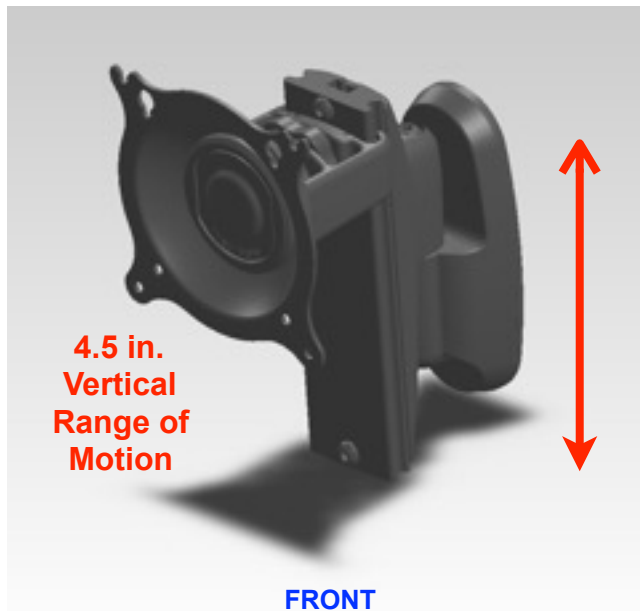
This range of adjustment allows you to easily place monitors from tier 1 bezel-to-bezel with monitors on tier 2

Series 2 monitor tiers are 100% compatible with all original AgileVIEW control console base units. This makes field upgrading to Series 2 easy and protects your original investment

Tiers have divided wire ways to separate power and control wiring

### Our Most Flexible Modular Control Room Consoles

### Features CHIEF KWP130B Mounts



#### CHIEF KWP130B

Tilt/Pivot monitor mounts with built-in height adjustment slide

Offers a 4.5 inch range of vertical motion for each screen position

Portrait/landscape rotation or anywhere in 360 degrees of rotation

Mounts feature CHIEF's patented Centris technology for easy finger tip control of screens

Independent adjustment of all tension points allow screen positions to be customized and adjusted for touchscreen applications

**Monitor Mounts on Series 2 are Adjustable Height**

### Greater Flexibility and Enhanced Features



**View YouTube Video - AgileVIEW Series 2 [Click Here](#)**