

ErgonomicVIEW®



Sit Stand Workstations

www.imagevisionconsoles.com

Product Profile

ErgonomicVIEW

Complete
Ergonomic Console Solutions
Electronic Height Adjustable Sit-Stand Workstations

[Learn more...](#)

SINGLE OR DOUBLE TABLE TOPS

SITTING OR STANDING HEIGHT

ADJUSTABLE PRESETS

Motorized for ERGONOMIC ADJUSTMENT

Working Environment FLEXIBILITY

Operator CONVENIENCE

Laminated Table Tops Powder Coat Finish Task Lights Phone Shelf Integral Cable Management
Computer Shelf Options Power Outlets Slide-out Keyboard Trays Battery Power Options Monitor Arms
Drawers Control Enclosures Bookcases Slide-Out Trays Sub-Panels EIA Equipment Racks

• **Control Rooms** • **Security Furniture** • **Command Centers** • **Medical Imaging Solutions**

ErgonomicVIEW[®]

 **ImageVision**
Modular Consoles[®]

Adjustable Height Sit Stand Workstation

www.imagevisionconsoles.com

Single Top in 48, 60 or 72in. Widths



ErgonomicVIEW[®]

 **ImageVision**
Modular Consoles[®]

Height Adjustable Tables

www.imagevisionconsoles.com

Double Tops in 48, 60 or 72in. Widths



Features and Options

Features:

One or two individually-controlled motorized tabletop; range 28-47 inches
Tabletops travel up and down allowing optimal height adjustment
Double top units allow independent control of monitor height
Height adjustments for either sitting or standing control console operators
Height adjustment controls are conveniently located below work surfaces
ErgonomicVIEW consoles are ideal for medical imaging solutions

Base brackets for computers:

Support trays for CPU's are located on the base of the unit
This frees up tabletop work space and keeps floor space clear
Our ErgonomicVIEW units can support up to four CPU trays

Cable Management System:

Cables are routed to keep them unobtrusive to prevent cable clutter
Cables to power units are isolated inside cable chains for operator safety

Power Outlets:

Power strips are provided for auxiliary equipment

Options:

Task lights
Phone stands
Chief brand fixed or adjustable monitor arms; single or dual extension
Four programmable presets on the sit stand desk height controls
Five programmable presets on indirect ambient lighting controls
Mounting brackets for accommodating up to a four-bank X-ray

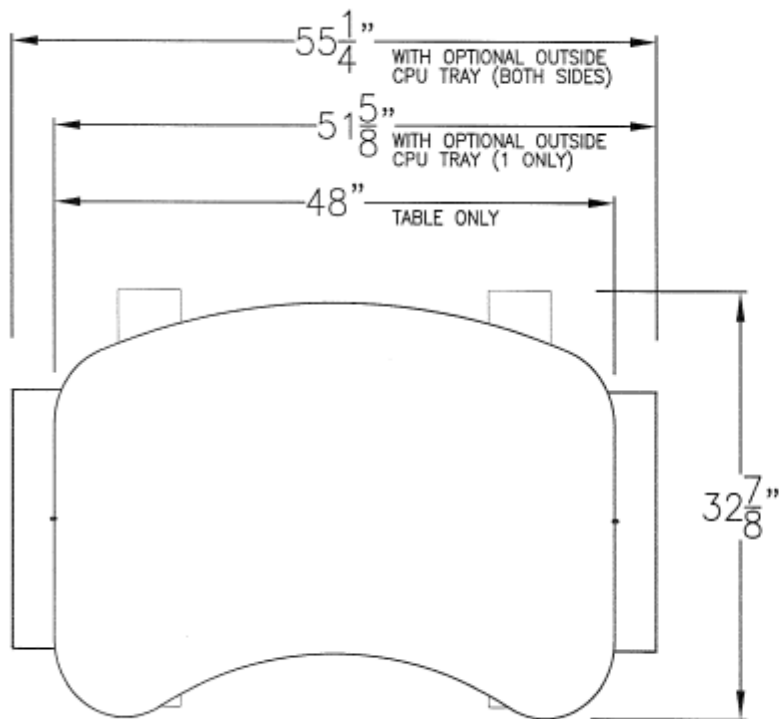
Dimension Drawings

Adjustable height sit to stand desk solutions

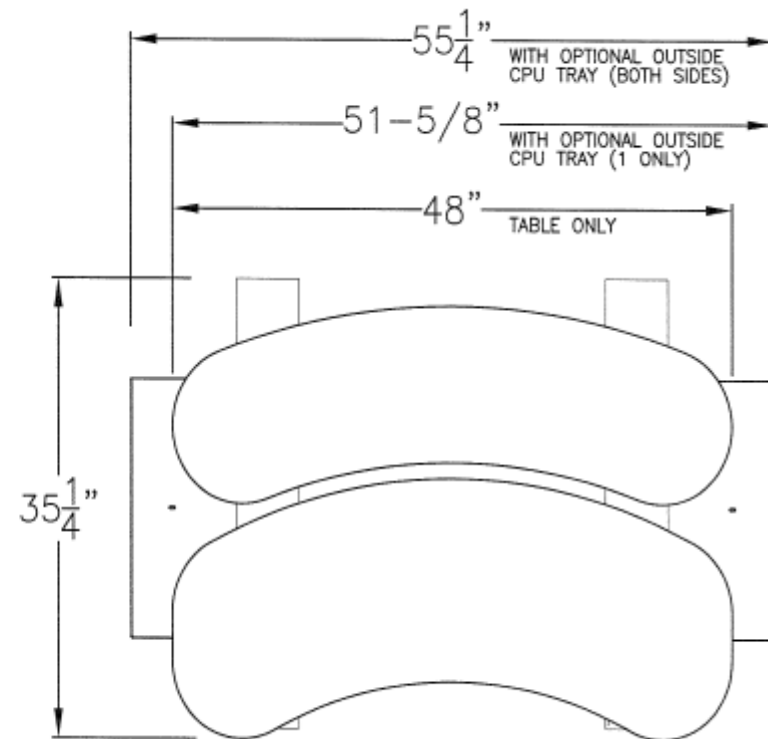
ErgonomicVIEW[®]

THE ERGONOMIC COMPUTER WORKSTATION

Single 48in. Tabletop



Double 48in. Tabletops

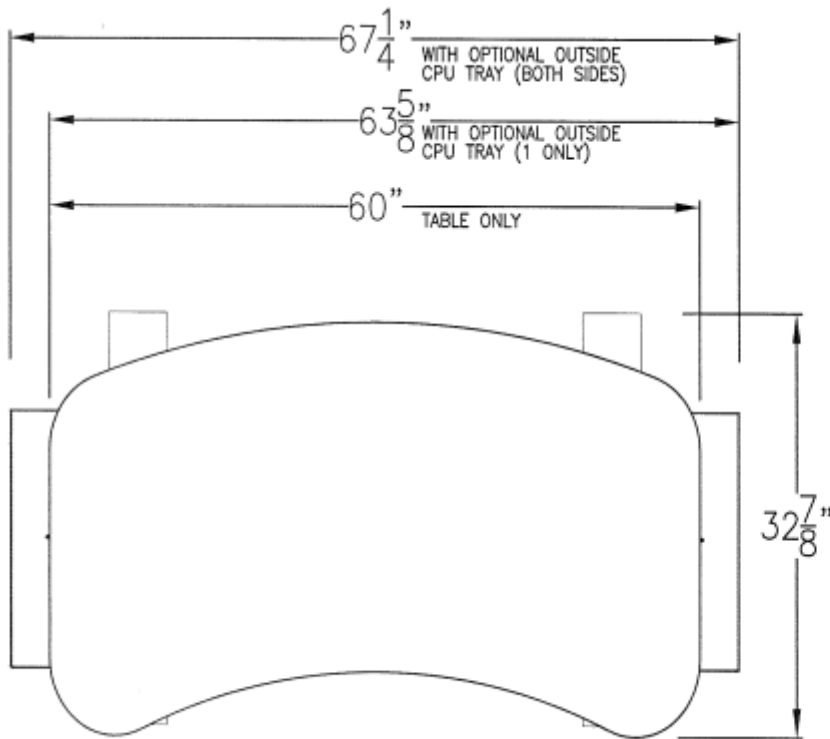


FLOOR PLAN DIMENSIONS

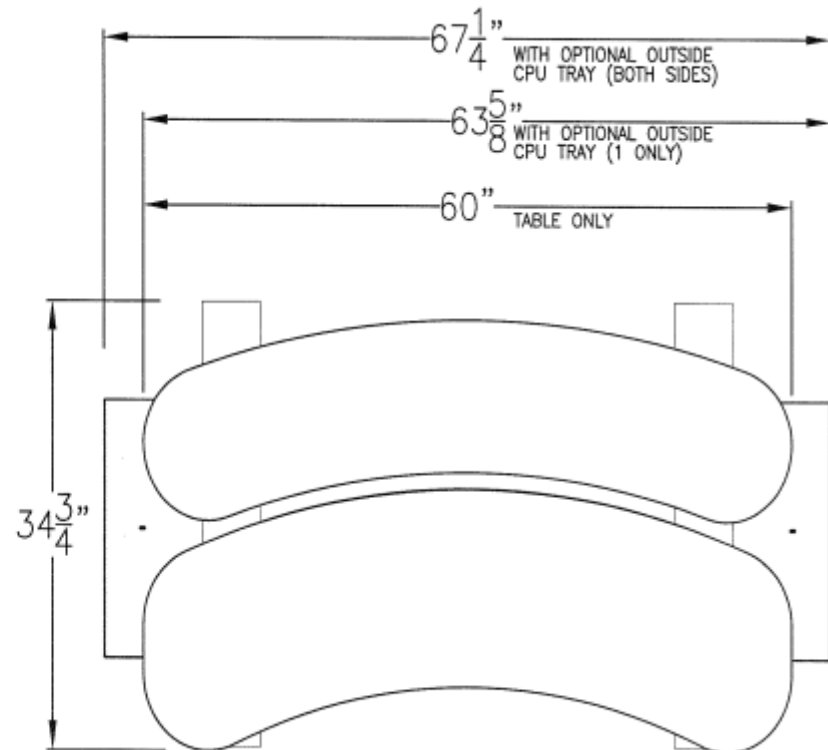
ErgonomicVIEW®

THE ERGONOMIC COMPUTER WORKSTATION

Single 60in. Tabletop



Double 60in. Tabletops



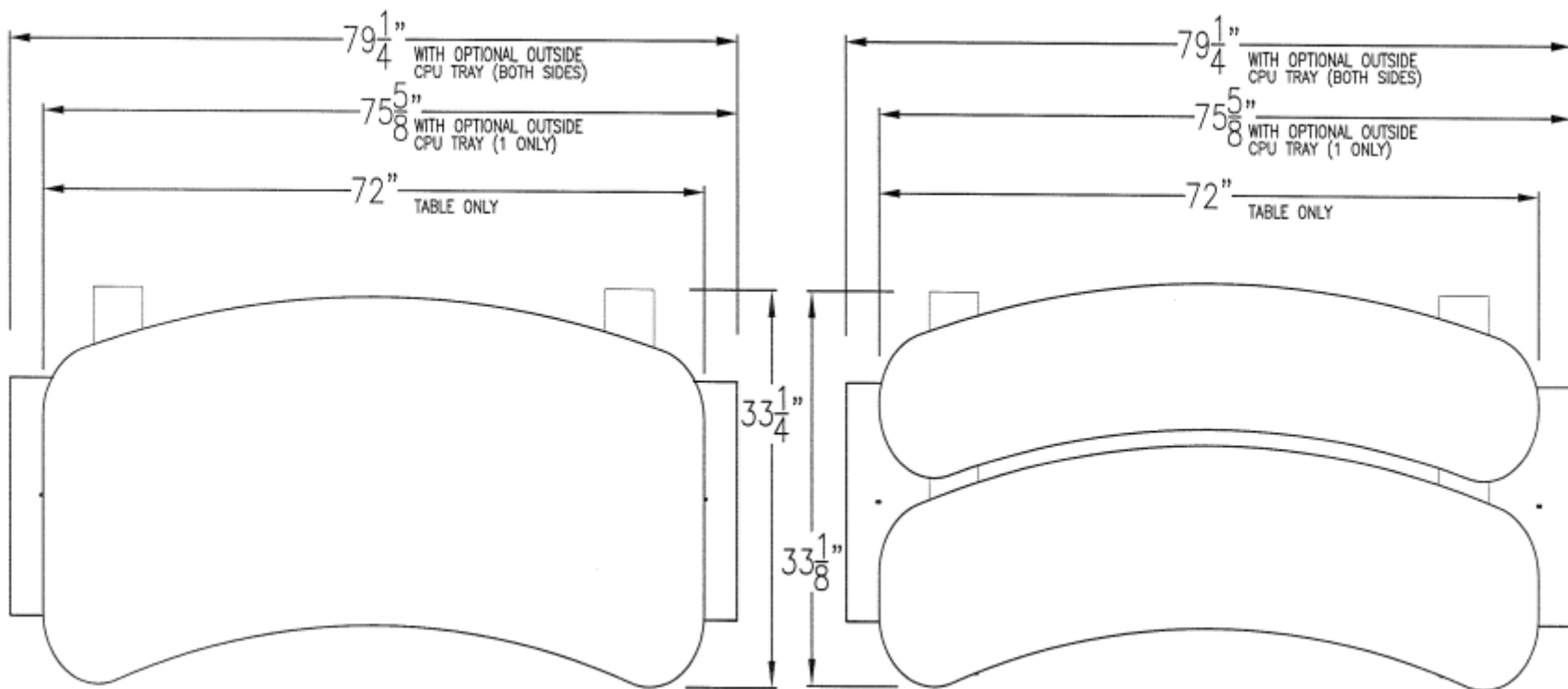
FLOOR PLAN DIMENSIONS

ErgonomicVIEW®

THE ERGONOMIC COMPUTER WORKSTATION

Single 72in. Tabletop

Double 72in. Tabletops



FLOOR PLAN DIMENSIONS