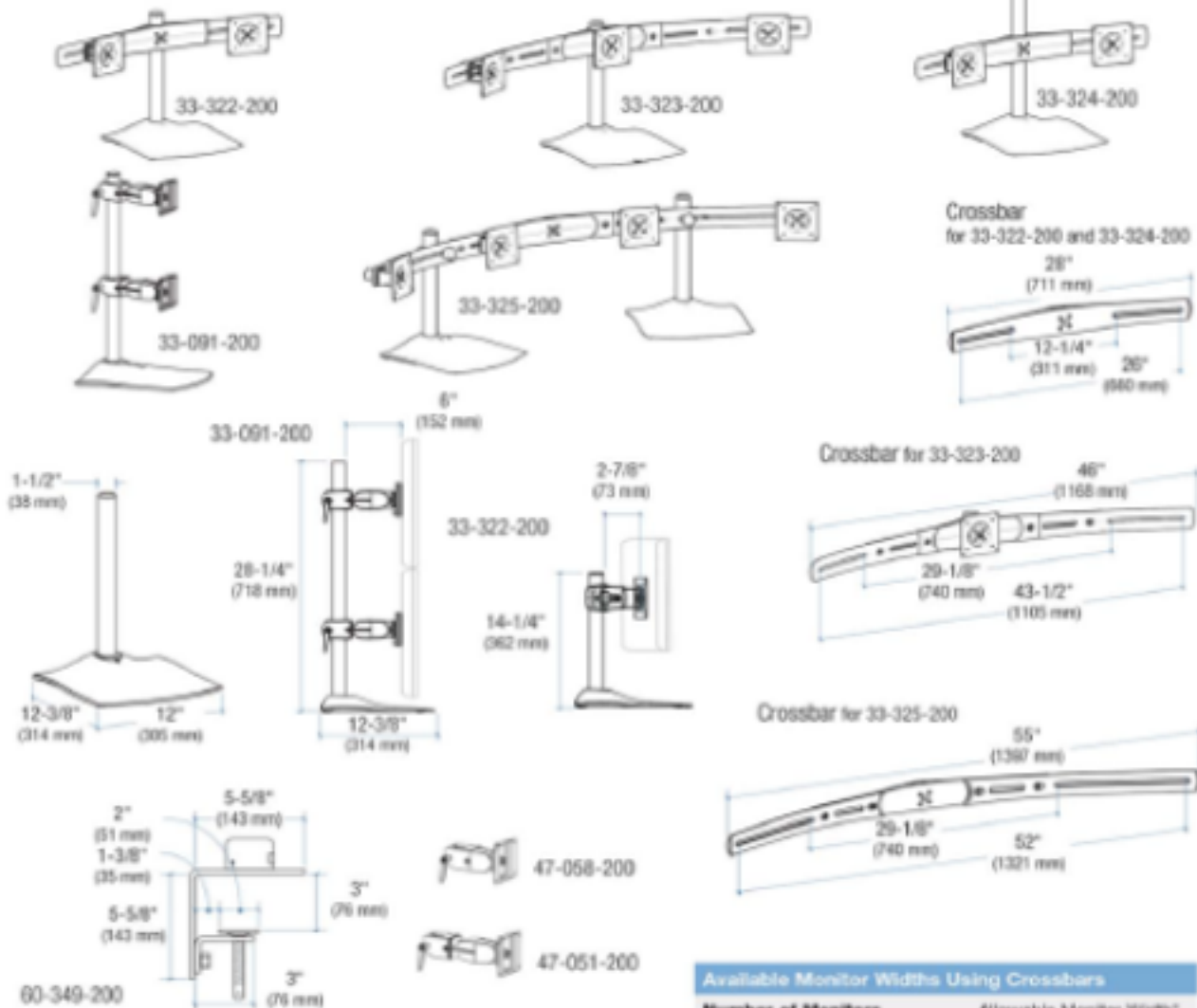


# Ergotron® DS100 Series

## Dual, Triple, and Quad Desk Stands

### Dimensional Illustrations



**Attention:** Listed allowable widths assume monitor thickness is 4" (102 mm). If monitor thickness is less, allowable width may be more. Contact Ergotron for details.

© 2007 Ergotron, Inc. rev. 10/23/2007 388-030. Easobed is subject to change without notification.

#### Available Monitor Widths Using Crossbars

Number of Monitors (Horizontal Crossbar)	Allowable Monitor Width*
Dual-Monitor (26" Crossbar)	23-1/4" (590 mm)
Triple-Monitor (46" Crossbar)	20" (508 mm)
Triple-Monitor (55" Crossbar)	24.5" (622 mm)
Quad-Monitor (55" Crossbar)	16" (406 mm)

\* Width refers to monitor's physical outside dimension - not screen size.

